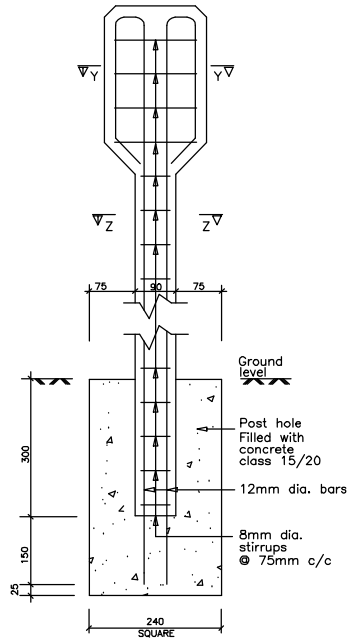


GATE VALVE INDICATOR POST

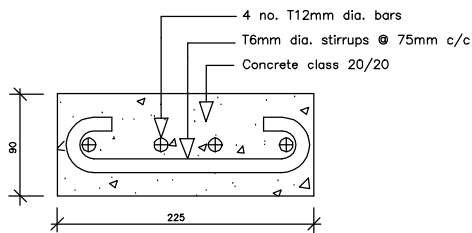
SCALE 1:10



INDICATOR POST REINFORCEMENT

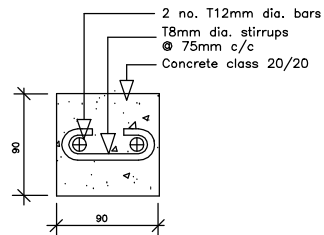
DETAILS

SCALE 1:10



SECTION Y-Y

SCALE 1:4



SECTION Z-Z

SCALE 1:4

NOTES

- All dimensions are in mm unless otherwise stated.
- Details for indicator posts to be as for gate valve but lettering to be as follows

FOR	USE
gate valve	GV
air valve	AV
washout	WO
water main	WM
bulk meter	M
- All indicator posts to be painted with 2 coats blue oil based paint and lettering to engineer's approval.
- Marker posts to be positioned in safe locations where possible against boundary of road reserve
- ONLY FIGURED DIMENSION TO BE TAKEN FROM THIS DRAWING.

A. GENERAL NOTES
 1. This drawing must be read in conjunction with specifications in the bill document
 2. The contractor shall conform to all details specified on the drawing
 3. All Dimensions are in mm unless specified

B. CONCRETE
 4. Concrete works to Structural elements is class 20/20, mix 1:2:4
 5. Minimum cover to all concrete works is as follows:
 Marker / Indicator posts - 20mm

C. REINFORCEMENT WORKS
 7. All reinforcement works is labelled as 'D' standing for Deformed ribbed bars
 8. Minimum design yield strength for all reinforcement works is 460N/mm²
 9. All reinforcement works must be inspected and approved by the Structural Engineer before casting.

D. EXCAVATIONS
 10. All Excavation works must be inspected and approved by the Structural Engineer before casting

E. TIMBER WORK
 15. MS plate formwork to be used and approved by the Engineer

CLIENT

KISUMU WATER AND SANITATION COMPANY LTD

TITLE
 PROPOSED MARKER POST

DRAWING TITLE
 SECTIONAL VIEW OF A MARKER / INDICATOR POST

CIVIL AND STRUCTURAL ENGINEERS CONSULTANTS

CHIEF ENGINEER TECHNICAL SERVICES
 KISUMU WATER AND SANITATION COMPANY LTD
 P.O BOX 3210-40100
 KISUMU

SCALE(S)	AS SHOWN			FIGURED DIMENSIONS ONLY TO BE TAKEN FROM THIS DRAWING
REVISION	01			PROJECT/DRG NO.
	NAME	SIGN	DATE	
DESIGNED			06-12-2022	
DRAWN				
CHECKED BY				