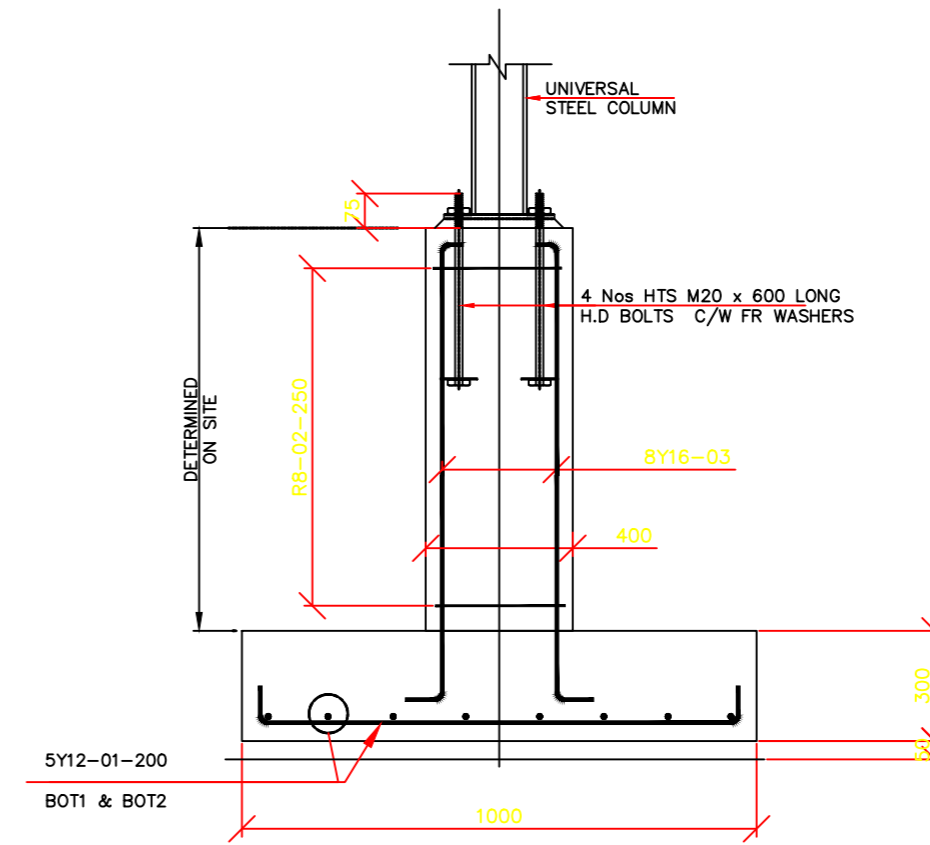
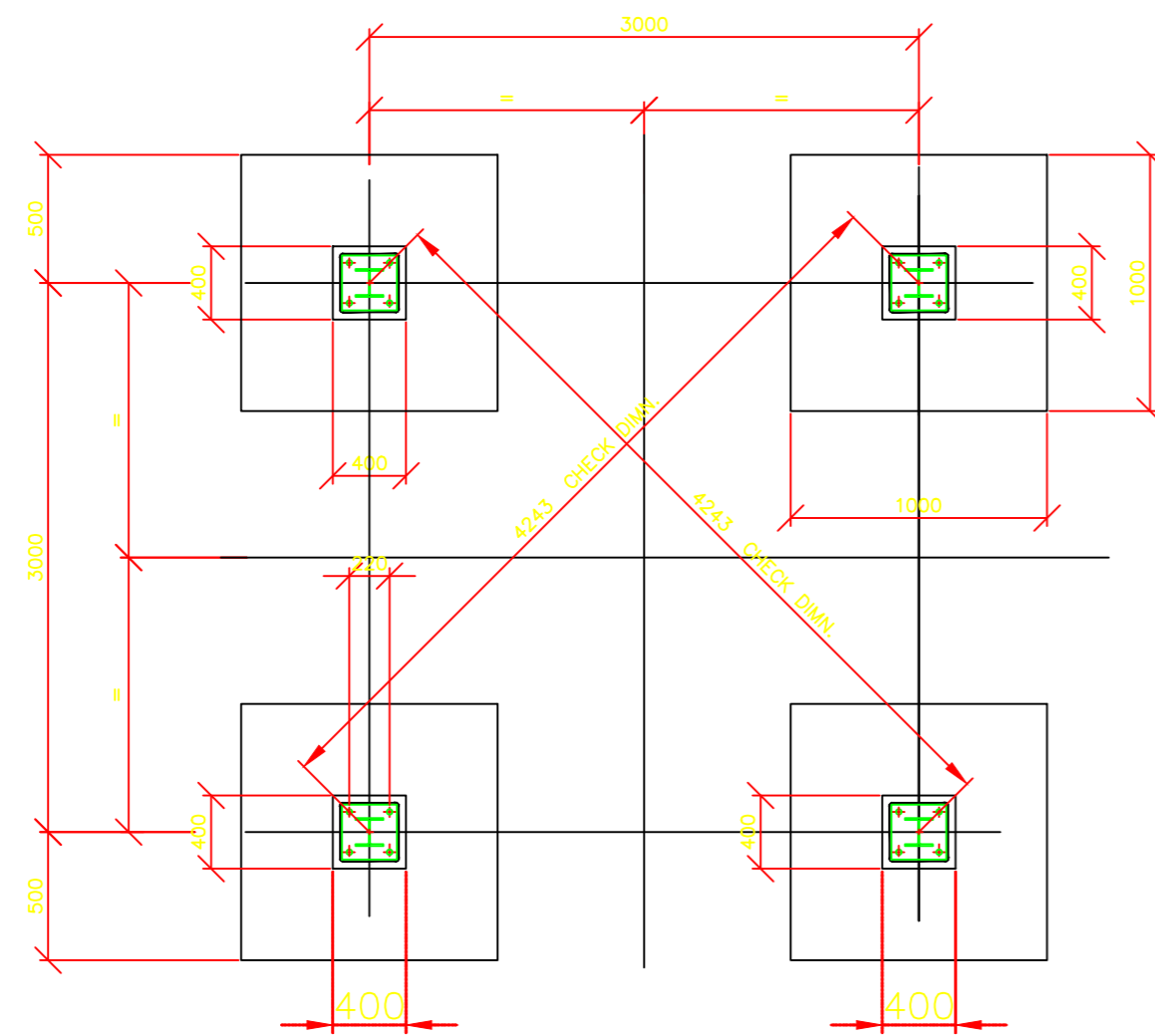


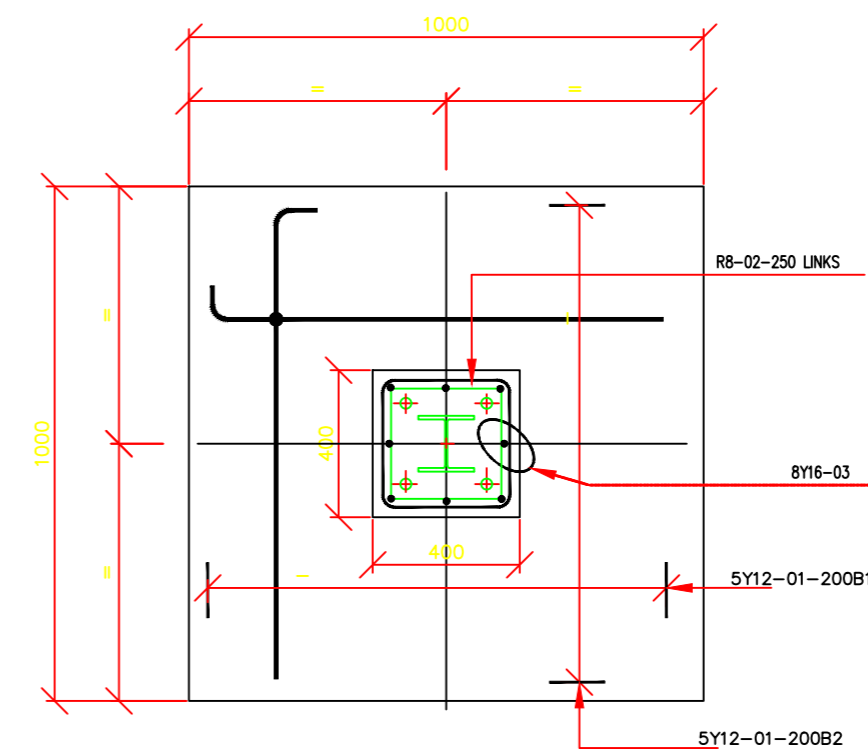
SECTION ON BASES



ENLARGED SECTION

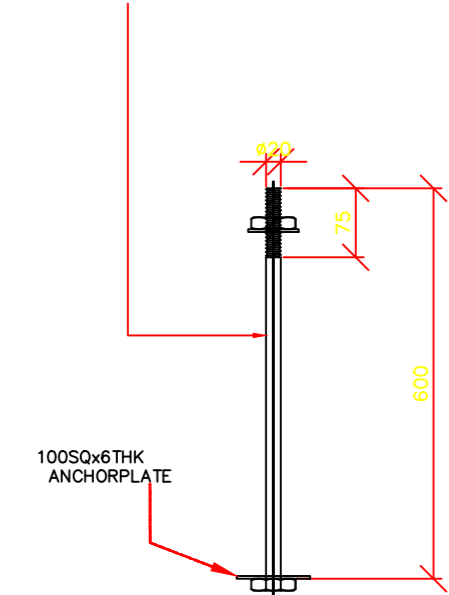


PLAN LAYOUT BASE



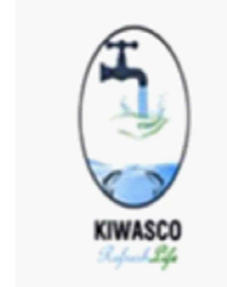

PLAN ON BASE

4 Nos-M20 x 600 LG HTS BOLT C/W NUTS & F.R WASHERS REQD PER BASE



HOLDING DOWN BOLT

4 Nos-M20x 600 LG C/W NUTS & F.R WASHERS REQD PER BASE

REVISIONS			DESIGN DRAWING		 <p>KISUMU WATER & SANITATION P.O BOX 3210-40100 KISUMU, KENYA</p>	PROJECT TITLE	PARTNERS
REV.No.	DATE	DESCRIPTION	DRAWN BY	DATE		NYAMASARIA AQUA UPLIFT LIFTING COMMUNITIES OUT OF WATER & SANITATION STAGNATION	
			APPROVED BY	SCALE(S)		DRAWING TITLE	
			NRWM/PDCE	AS SHOWN		100m3 ELEVATED STEEL TANK COLUMN BASES DETAILS	
			SHEET	DRAWING NO.			
			1/2	WFL/SD/001			