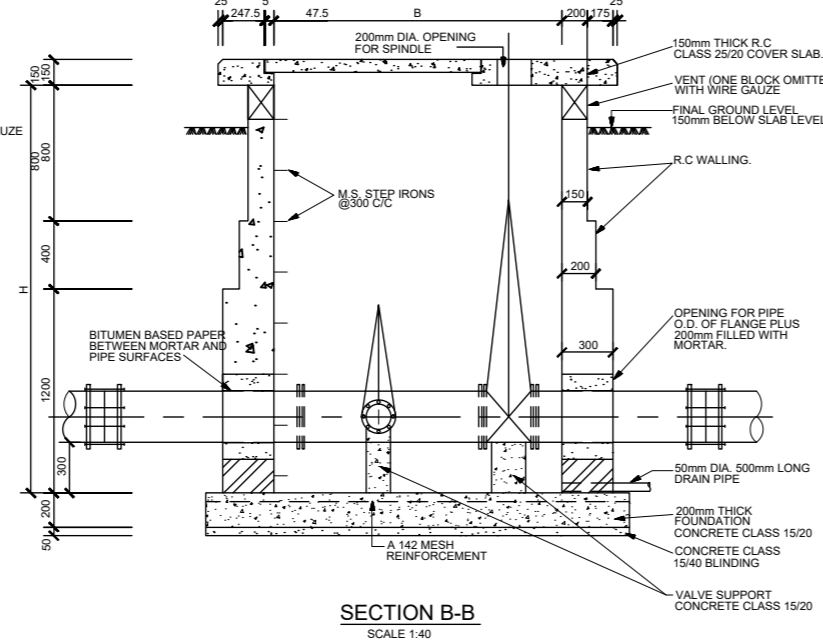
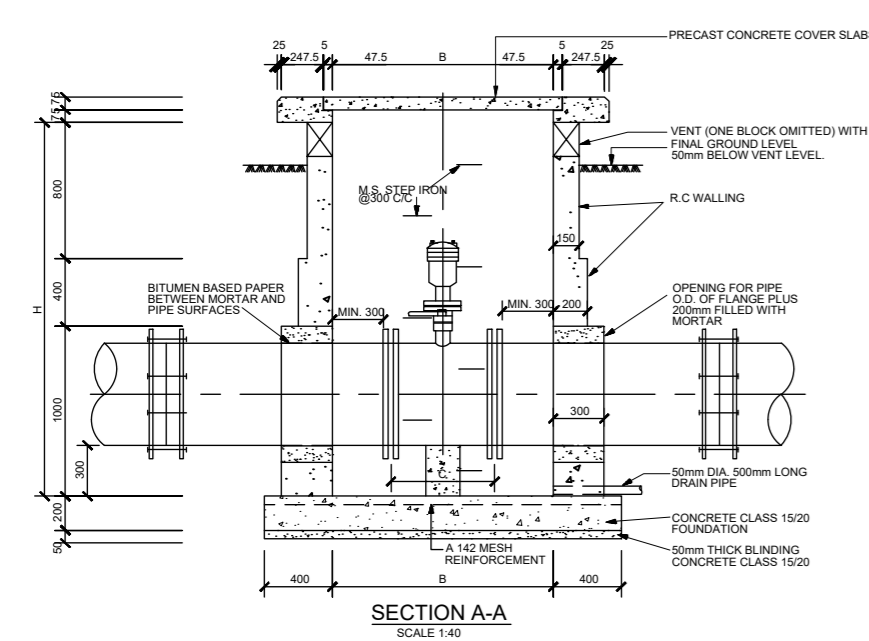


- NOTES**
1. DIMENSIONS ARE SHOWN IN MILLIMETRES UNLESS OTHERWISE STATED
- ABBREVIATIONS**
- P.C.C. - PRECAST CONCRETE  
 mm - MILLIMETRES  
 O.D. - OUTSIDE DIAMETER  
 M.S. - MILD STEEL  
 DIA. - DIAMETER  
 NO. - NUMBER  
 R.C. - REINFORCED CONCRETE  
 c/c - CENTRE TO CENTRE  
 F.G.L. - FINISHED GROUND LEVEL  
 F.C. - FLEXIBLE COUPLING  
 F.A. - FLANGE ADAPTOR  
 P.F. - PUDDLE FLANGE  
 T.F. - THRUST FLANGE



**CONSTRUCTION DETAILS FOR VALVE CHAMBERS**

MAINS DIAMETER (mm)	PLAN SIZE OF CHAMBER (INTERNAL DIMENSIONS) A(mm) x B(mm)
100	1200 x 1200
150	1200 x 1200
200	1400 x 1200
250	1500 x 1200
300	1500 x 1200
350	1800 x 1200
400	1800 x 1200
450	1400 x 1400
500	1400 x 1200

CHAMBER SIZE SCHEDULE FOR VARIOUS PIPE SIZES

INVERT DEPTHS (mm)	HEIGHT OF WALL (mm)	WALL WIDTH (mm)
0 - 800	800	150 - MASONRY WALL
800 - 1200	400	200 - MASONRY WALL
1200 - 2400	1200	300 - MASONRY WALL
2400 - 3000	600	350 - MASONRY WALL
DEPTH MORE THAN 3000	-	300mm REINFORCED CONCRETE (CLASS 25/20) WALL

CHAMBER DEPTHS & WALL THICKNESS SCHEDULE

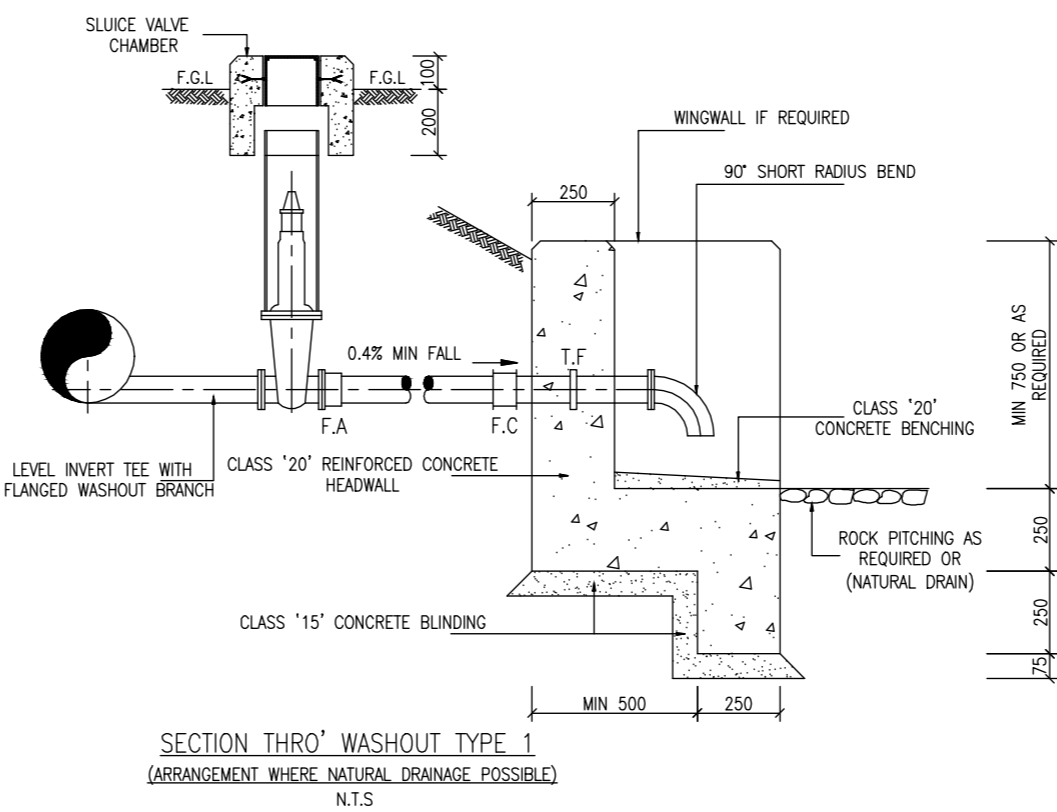
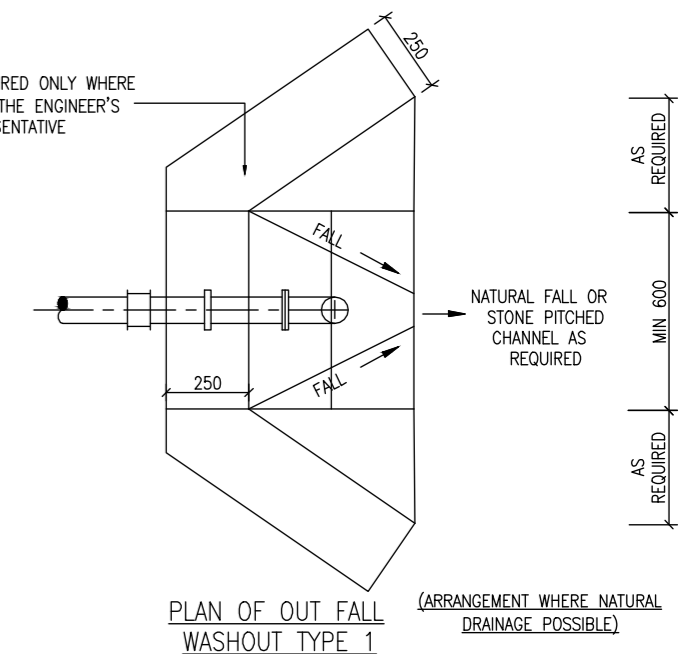


TABLE OF WASHOUT BRANCH SIZES

MAIN DIAMETER	WASHOUT BRANCH
100 - 400	80
450 - 600	100
650 - 800	150
ABOVE 800	200



PLAN OF OUT FALL WASHOUT TYPE 1 (ARRANGEMENT WHERE NATURAL DRAINAGE IS POSSIBLE)

**REVISIONS**

REV.No.	DATE	DESCRIPTION

**DESIGN DRAWING**

DRAWN BY	DATE
PLC	AUGUST 2024
APPROVED BY	SCALE(S)
NRWM/PDCE	AS SHOWN
SHEET	DRAWING NO.
1/1	WFL/SD/001



KISUMU WATER & SANITATION  
 P.O BOX 3210-40100  
 KISUMU, KENYA

**PROJECT TITLE**

NYAMASARIA AQUA UPLIFT  
 LIFTING COMMUNITIES OUT OF WATER & SANITATION STAGNATION

**DRAWING TITLE**

AIR VALVE, SLUICE VALVE AND WASHOUT CHAMBER DETAILS

**PARTNERS**

