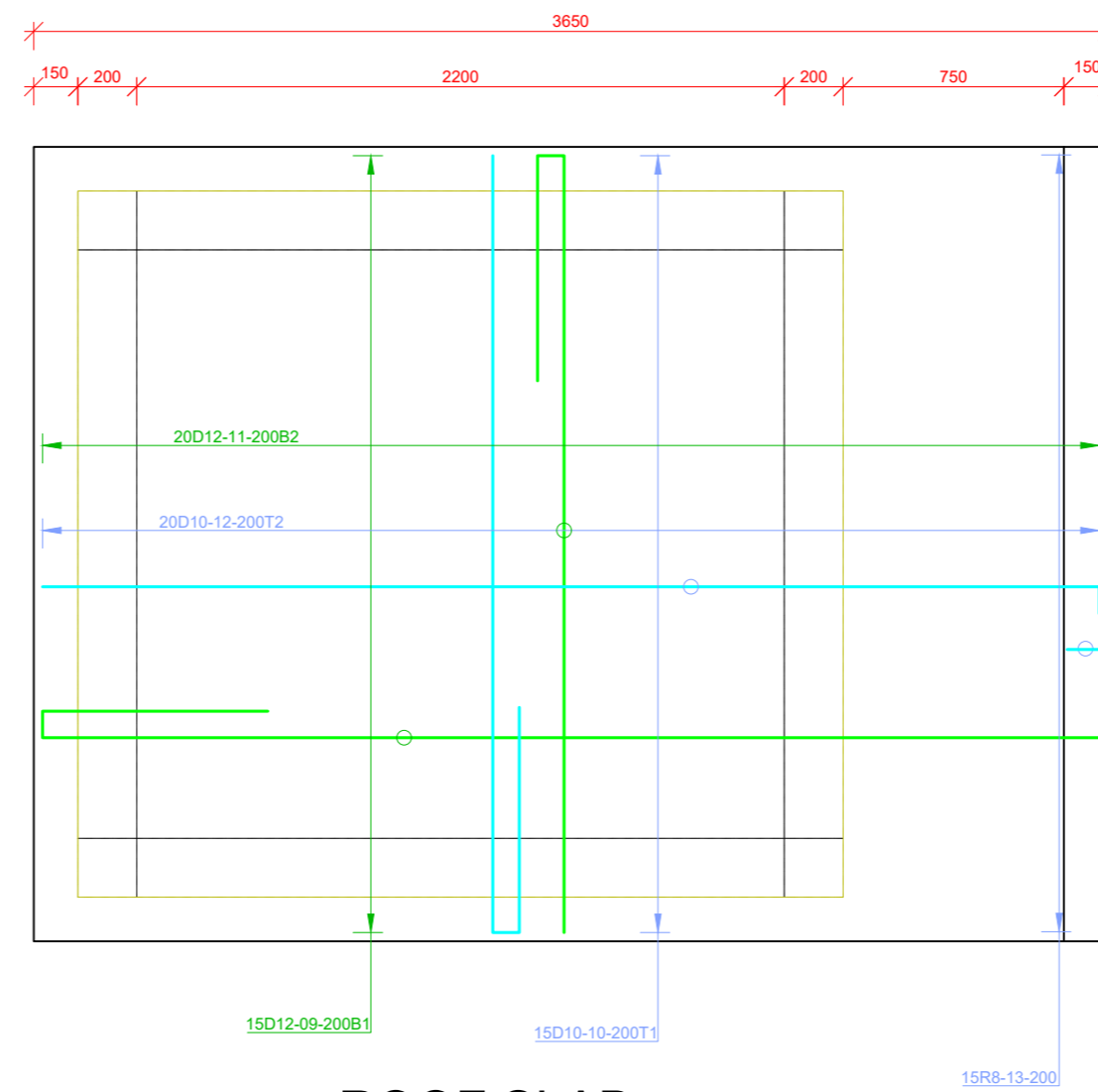
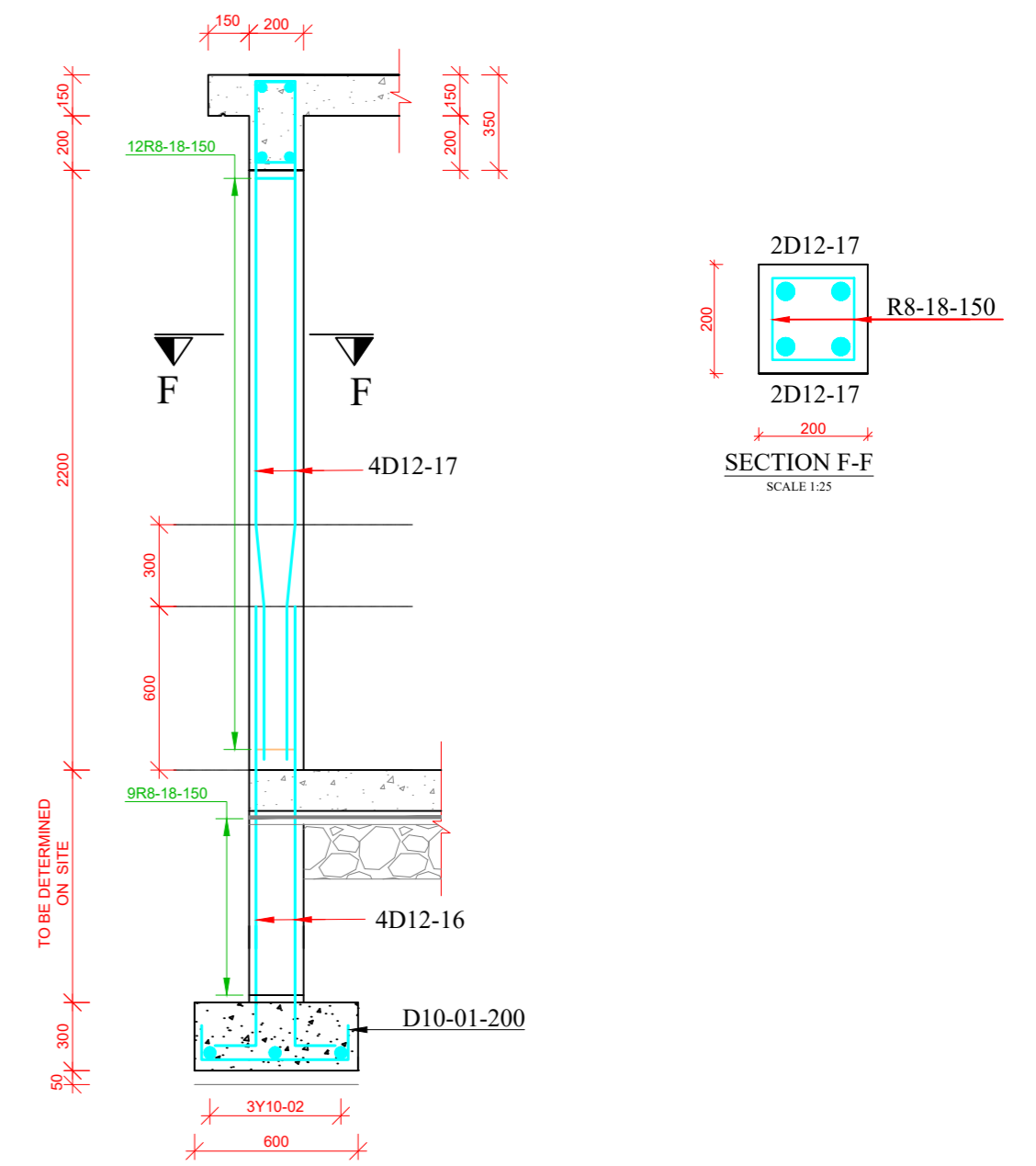


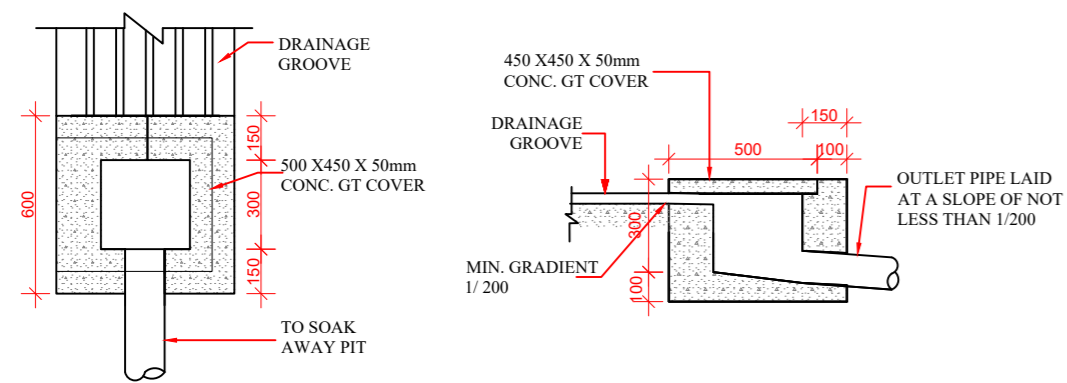
**FOUNDATION PLAN**  
SCALE 1:50



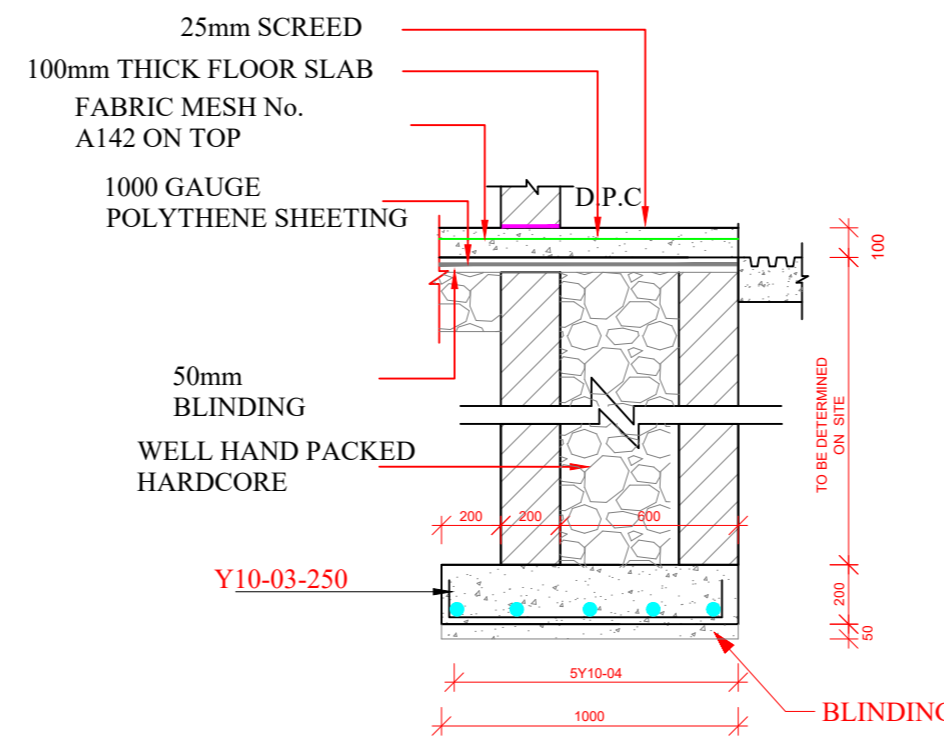
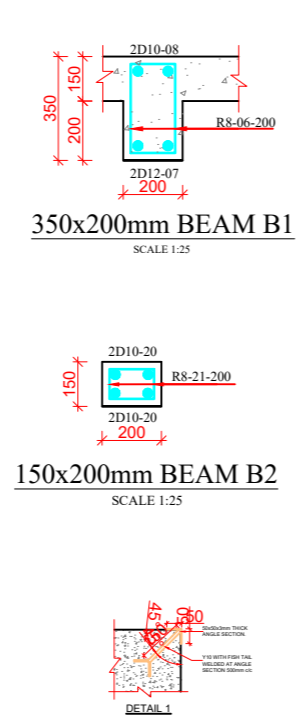
**ROOF SLAB**  
SCALE 1:50



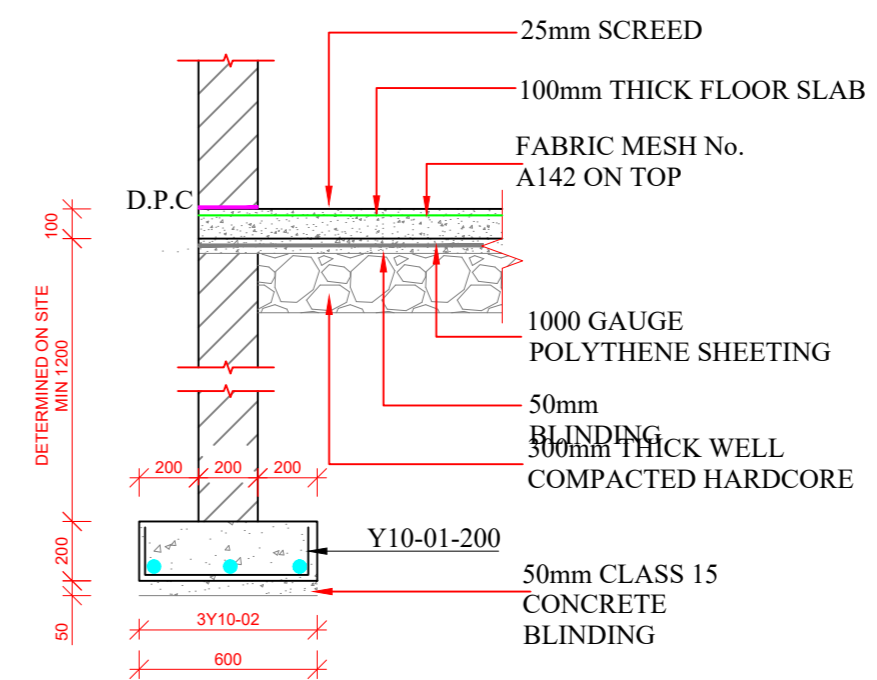
**TYPICAL COLUMN & BASE**  
SCALE 1:50



**GULLEY TRAP PLAN AND LONGITUDINAL SECTION**  
SCALE 1:30



**SECTION E-E**  
SCALE 1:50



**SECTION D-D**  
SCALE 1:50

REVISIONS			DESIGN DRAWING	
REV.No.	DATE	DESCRIPTION	DRAWN BY	DATE
			PLC	AUGUST 2024
			APPROVED BY	SCALE(S)
			NRWM/PDCE	AS SHOWN
			SHEET	DRAWING NO.
			1/2	WFL/SD/005



KISUMU WATER & SANITATION  
P.O BOX 3210-40100  
KISUMU, KENYA

**PROJECT TITLE**  
NYAMASARIA AQUA UPLIFT  
LIFTING COMMUNITIES OUT OF WATER & SANITATION STAGNATION

**DRAWING TITLE**  
WATER KIOSK R.C DETAILS

**PARTNERS**

